

USER MANUAL



THERMOSTATIC RADIATOR VALVES

Thank you for choosing Buy It Direct.
Please read this user manual before using this
valve and keep it safe for future reference.

CONTENTS

SAFETY WARNINGS	3
PRODUCT OVERVIEW	3
INSTALLATION	5
OPERATION	6
CLEANING AND MAINTENANCE	6
SUPPORT	7

SAFETY WARNINGS

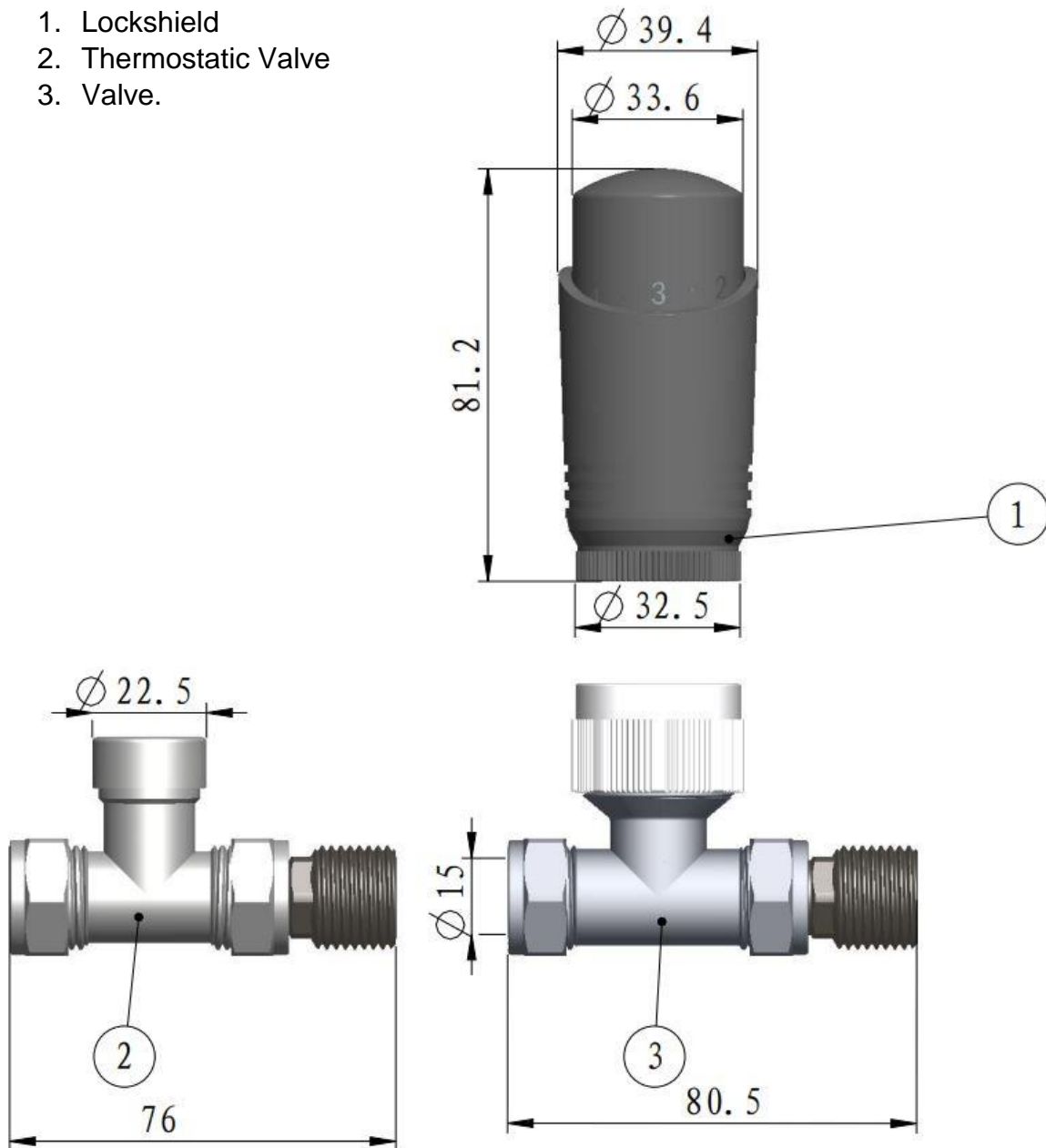
For your continued safety, please follow all the safety precautions listed below:

- This device is designed for residential use.
- Keep small parts and packaging out of reach of children to avoid choking hazards.
- Dispose of packaging and keep safe any extra parts, to ensure children and pets do not swallow them.
- Do not place the device near open flames or direct sunlight.
- Do not expose the device to open flames or other ignition sources.
- Take care when the heating is on as the connections will be hot to the touch.
- Install the device securely according to the manual.

PRODUCT OVERVIEW

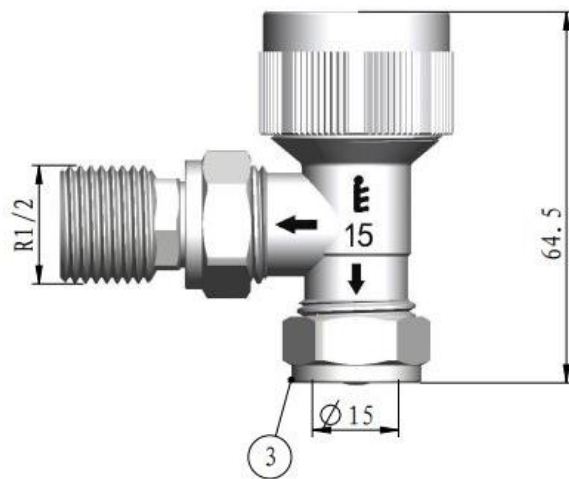
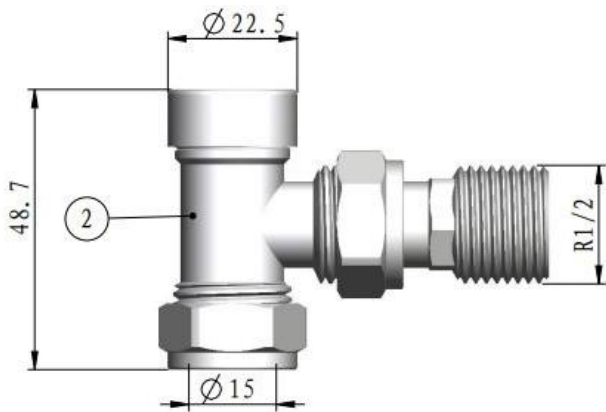
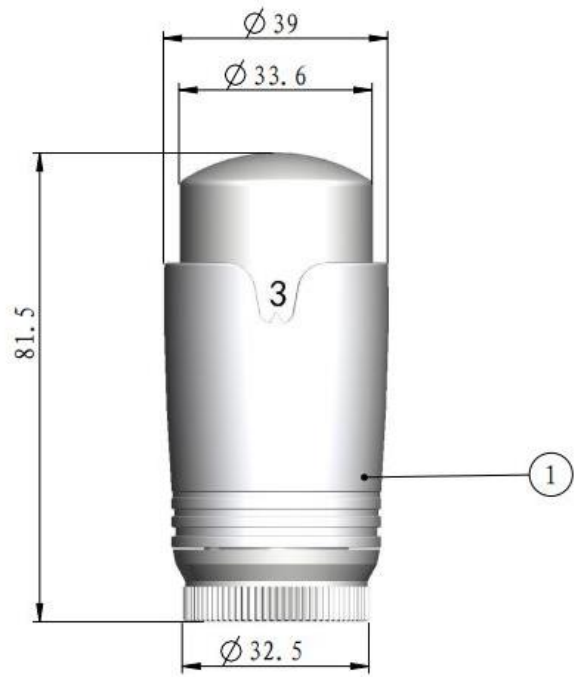
STRAIGHT VALVE

1. Lockshield
2. Thermostatic Valve
3. Valve.



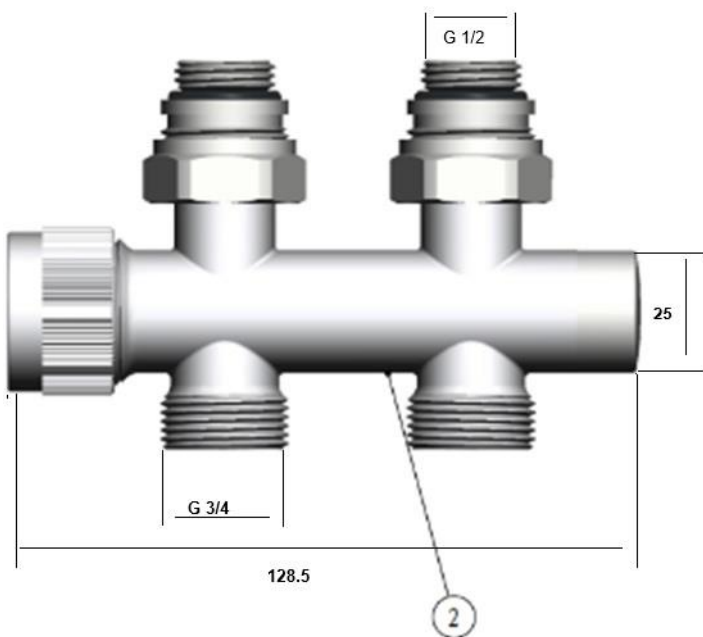
ANGLED VALVE

- 1. Lockshield
- 2. Thermostatic Valve
- 3. Valve.

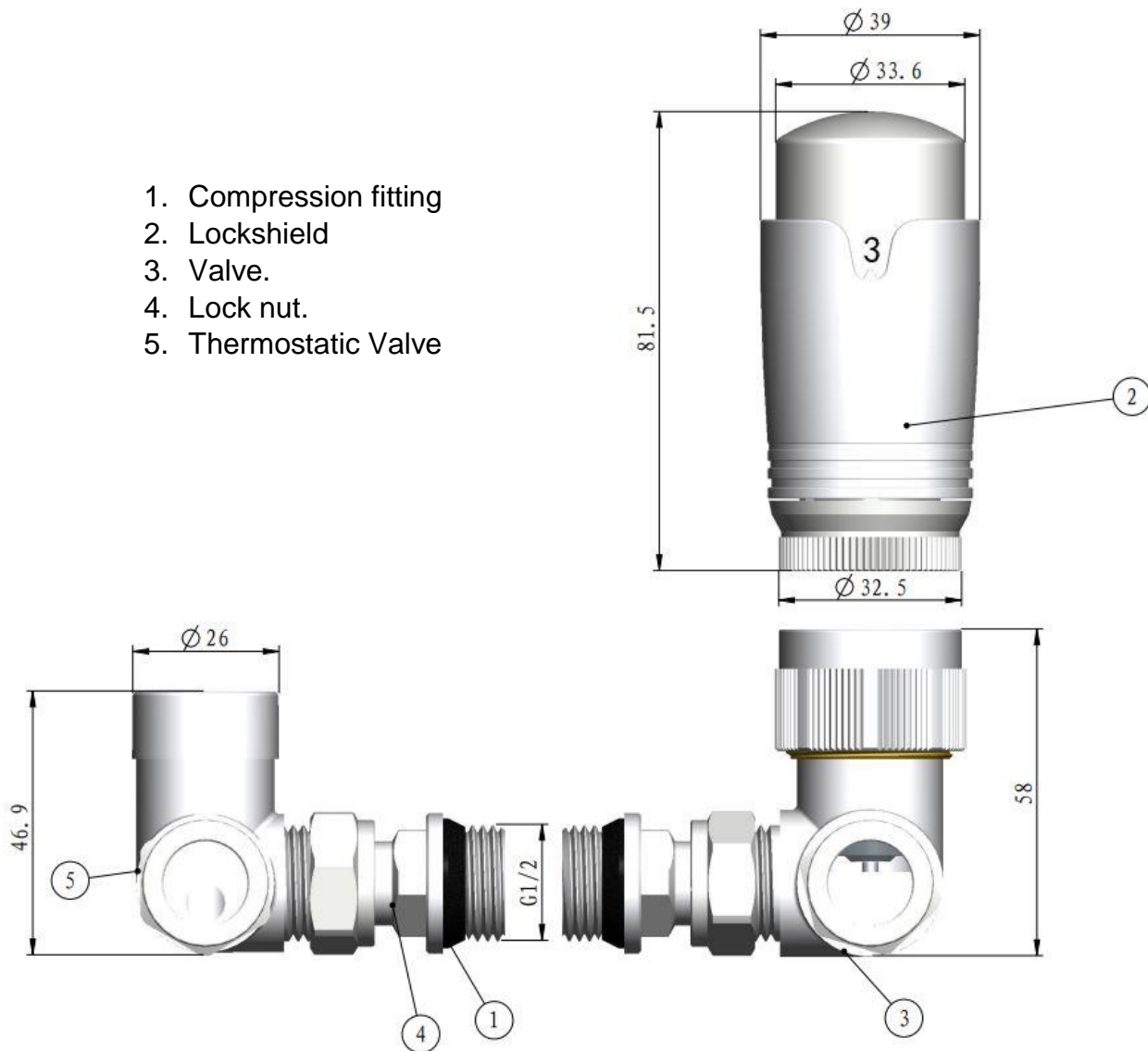


H-BLOCK VALVE

- 1. Lockshield
- 2. Thermostatic valve



CORNER VALVE



BEFORE INSTALLING

- Improper installation may result in device malfunction or damage to your radiator system.
- If you are uncertain about installation or valve compatibility, consult a qualified technician.
- Do not apply excessive force to the knob or other components.
- Avoid dropping the device, which may result in internal damage.

INSTALLATION

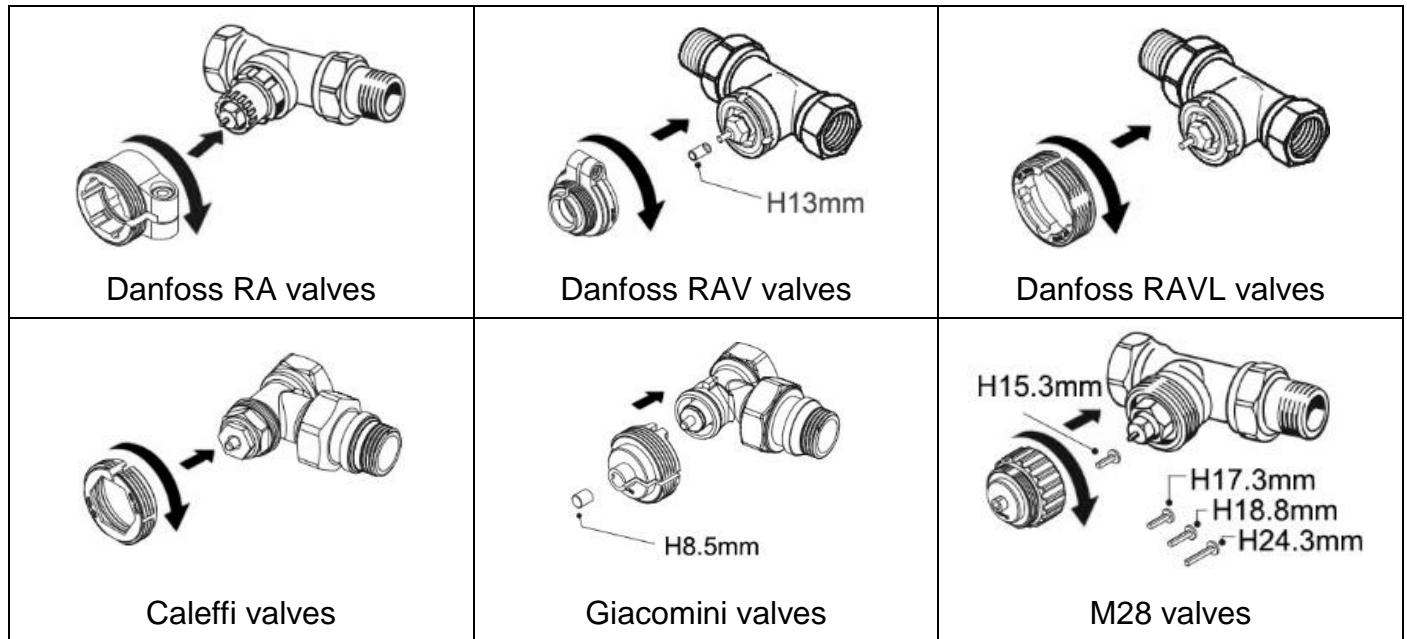
- Please ensure a competent or qualified professional installs the radiator and does any required pipework connections.
- Turn the water off from the main valve.
- Bleed the radiator system to ensure no debris will flow into the radiator.
- Connect the valve to the radiator. Connecting the thermostatic side of the valve to the flow in side and the lockshield to the other side.
- Use PTFE tape on the Male connection threads. First, twist the tape into a smaller string and wrap it around the threads. Then, wrap a final flat piece of PTFE tape over this. A sealant could also be used at the professional's discretion.
- Turn the water back on from the main valve.

- Repressurise the system, leaving the air vent open on the new radiator to ensure it fills with water. Check for leaks.

VALVE ADAPTER INSTALLATION (PARTS NOT SUPPLIED)

If your connector type is not M30 x 1.5, you will need to mount the adapter on the valve. Adapter sets and their corresponding installation can be found in the diagrams below:

You will need to purchase these adapters if you need them. They are not included with the valve.



OPERATION

The thermostatic valve allows independent temperature regulation for each room. This helps keep your desired temperature whilst saving energy. The valve operates using a sensor in the head to open and close the water flow.

Always ensure your boiler set temp is higher than the temperature you are setting on the valve.

Twist the top of the valve to select a setting. Please see the table below for the temperatures.

Number	0	*	1	2	3	4	5
°C	Off	6	12	16	20	24	28

CLEANING AND MAINTENANCE

IMPORTANT: Turn off the radiator before cleaning the valve.

- Use a dry or slightly damp cloth to clean the exterior. Do not use abrasive materials or solvents or immerse the device in water.
- Periodically check for signs of damage or wear. Replace the device if its performance is compromised.
- Do not clean the unit by spraying it or immersing it in water.
- Remove the batteries when not in use as this can prevent leakages and prolong battery life.

TECHNICAL SPECIFICATION

Maximum working pressure	10bar
Permissible differential pressure	1bar
Maximum fluid temperature	110°C
Temperature lag	27min±7min
Flow: Angled	0.100-0.0130m ³ /h
Flow: Straight	0.100-0.0130m ³ /h
Flow: Corner	0.100-0.0130m ³ /h
Flow: H-Block	0.100-0.0130m ³ /h

UK SUPPORT

Email: customersupport@buyitdirect.co.uk
Call: 0330 041 2271 or complete the online form
Office hours: 9 AM - 5 PM, Monday to Friday

Unit 2A, Trident Business Park,
Neptune Way, Leeds Road,
Huddersfield, HD2 1UA.